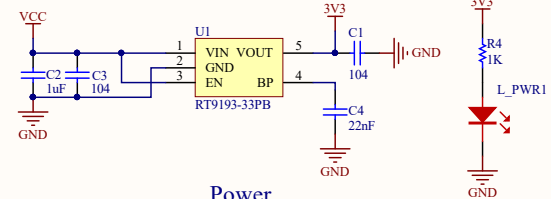
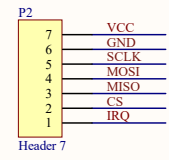


BCM	wPi	P1			wPi	BCM
		3V3	5V	RPI 5V		
2	8	SDA1	5V	RPI 5V		
3	9	SCL1	GND	GND	15	14
4	7				16	15
		GND	TXD			
17	0	GND	RXD	SPI1 CS	1	18
27	2	GPIO0	GPIO1	GND		
22	3	GPIO2	GND		4	23
		GPIO3	GPIO4	P5	5	24
10	12	3V3	GPIO5	GND		
9	13	MOSI	GND	P6	6	25
19	24	MISO	GPIO6	P6	10	8
11	14	SCLK	CE0		11	7
		GND	CE1			
5	21	SDA0	SCL0	GND		
6	22	GPIO21	GND	P26	26	12
13	23	GPIO22	GPIO26	GND		
19	24	SPI1 MISO	GPIO23	GND	27	16
26	25	GPIO24	GPIO27	P27	28	20
		GPIO25	GPIO28	SPI1 MOSI	29	21
		GND	GPIO29	SPI1 SCLK		

Raspberry Interface



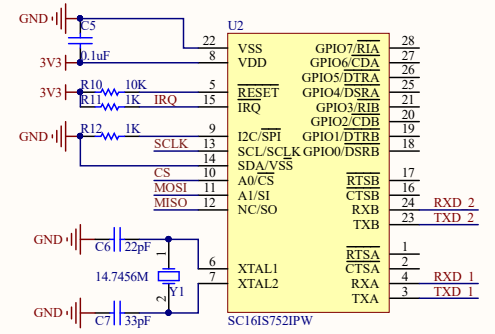
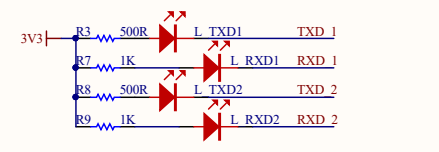
Power



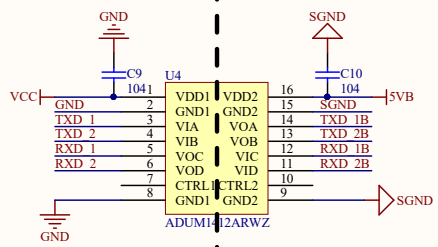
Interface



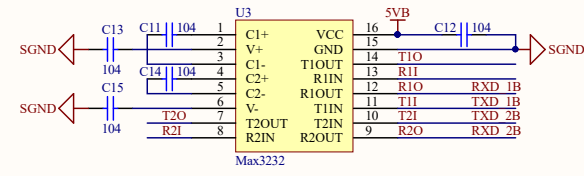
2-CH RS232 HAT



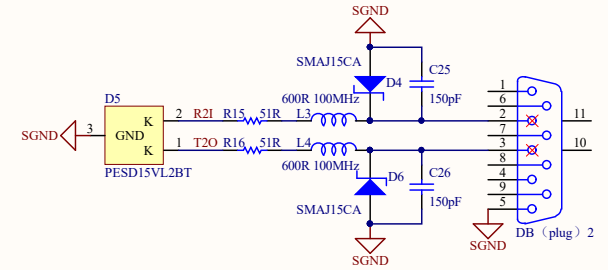
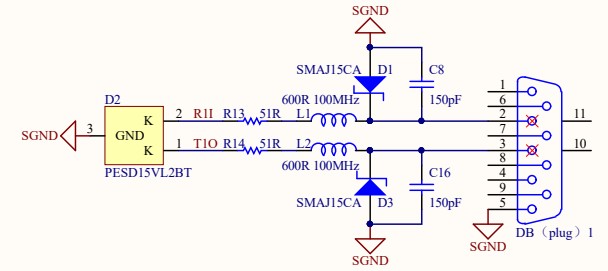
spi to Serial Expansion

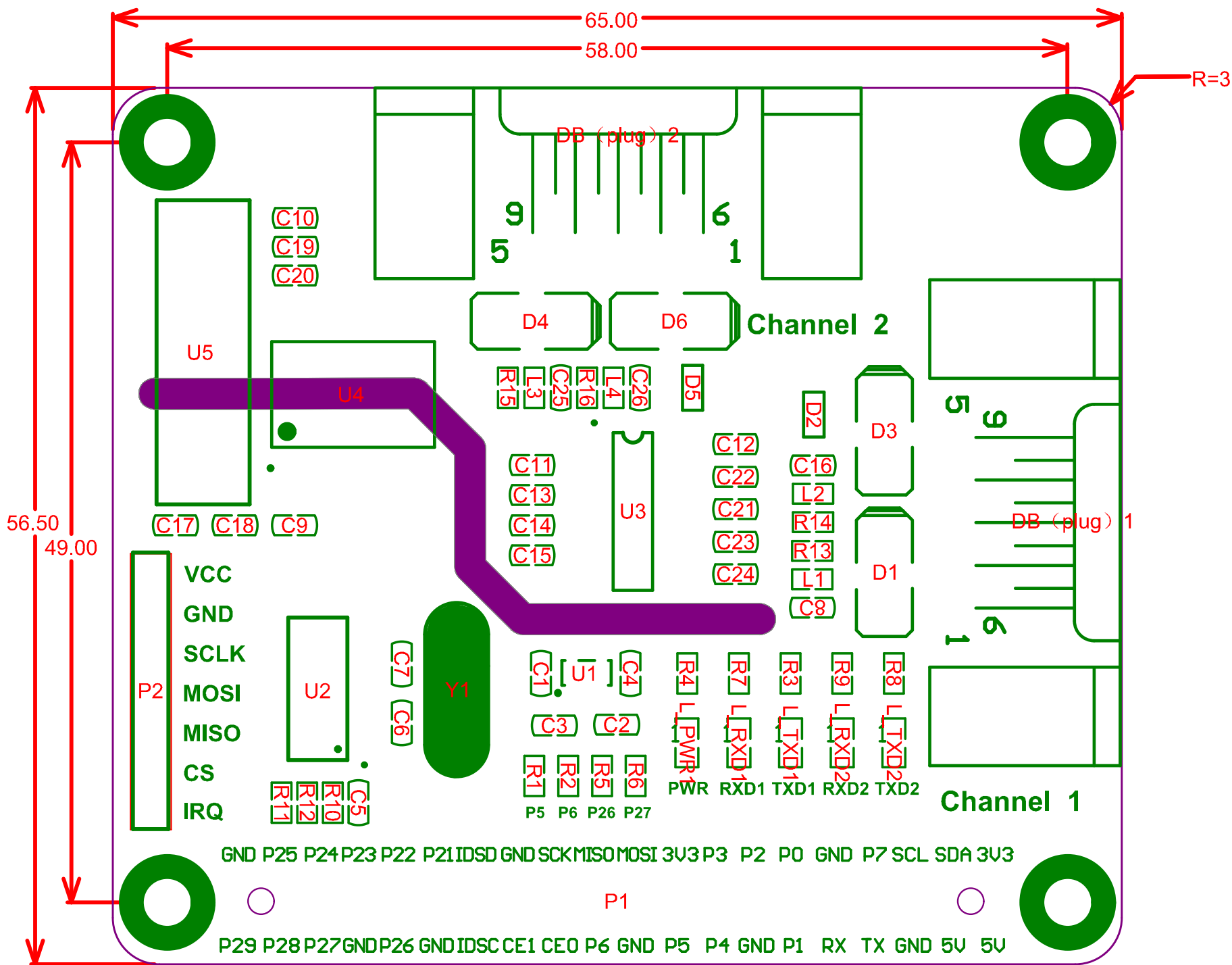


Isolation



RS-232





Unit:mm